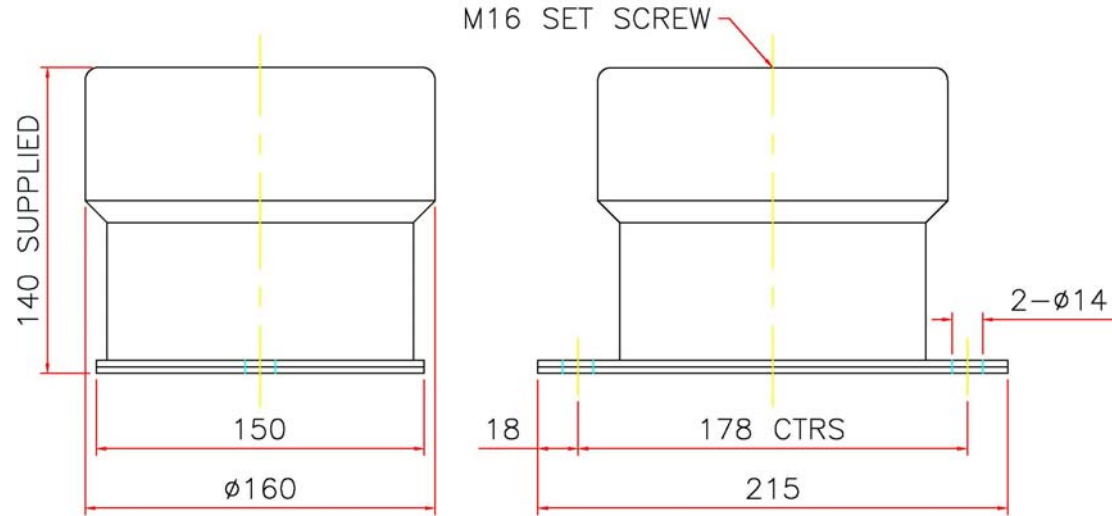


# Type SADH



## SADH ISOLATOR CODE REFERENCE

500 550 625 720 875 1000 1125 1200 1320 1500 1600 1650

